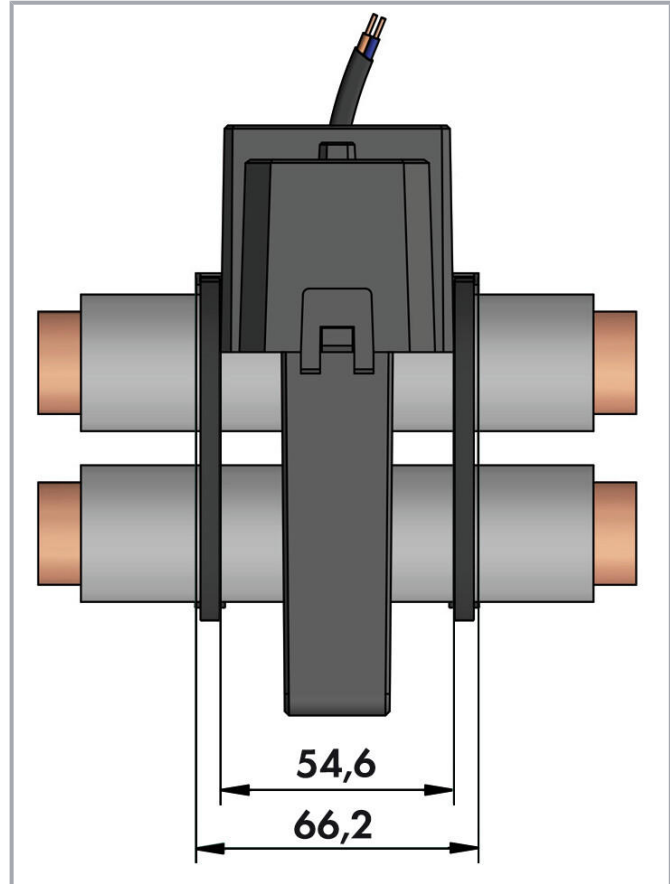


Data sheet | Item number: 855-5105/750-000

Split-core current transformer; Primary rated current 750 A; Secondary rated current: 5 A; Rated power: 0.5 VA; Accuracy class: 0.5



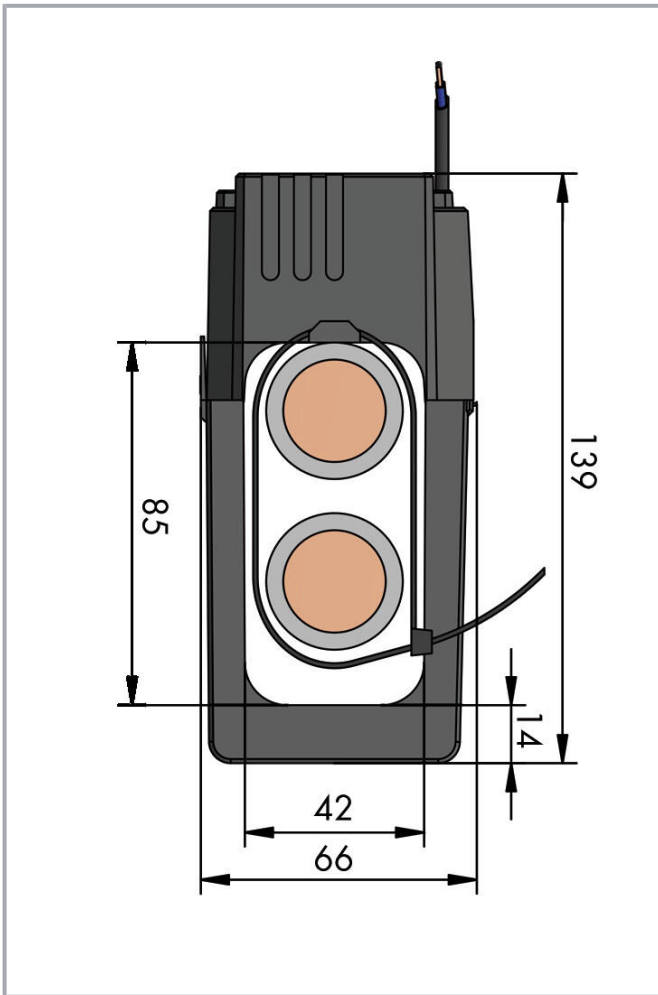
www.wago.com/855-5105_750-000



Subject to changes. Please also observe the further product documentation!

WAGO Corporation
Germantown, WI 53022
Phone: 1-800-DIN-RAIL (346-7245) | Fax: (262) 255-6222
Email: info.us@wago.com | Web: www.wago.us

Do you have any questions about our products?
We are always happy to take your call at (262) 255-6222 or 1 800-DIN-RAIL.



Item description

Short description:

WAGO's compact split-core current transformers are ideal for retrofitting existing systems. They are perfect for applications in which the current path must not be disrupted.

The transformer's accuracy permits extremely precise current measurements. The split-core current transformers are capable of supplying the specified rated power at the end of the secondary cable. All transformers are supplied with color-coded cables. Two UV-resistant cable ties are also included for secure and easy mounting.

Features:

- Current ratios from 750 A (primary side) and 5 A (secondary side)
- No measuring cable interruption
- Ideal for use in very confined spaces

Subject to changes. Please also observe the further product documentation!

WAGO Corporation
Germantown, WI 53022
Phone: 1-800-DIN-RAIL (346-7245) | Fax: (262) 255-6222
Email: info.us@wago.com | Web: www.wago.us

Do you have any questions about our products?
We are always happy to take your call at (262) 255-6222 or 1 800-DIN-RAIL.



- Rapid mounting
- For use around insulated cables up to 42 mm diameter
- Compact and hinged
- Color-coded connecting cable 3 m

Data

Technical data

Input – current transformer

| | |
|--|-------------------------------|
| Primary rated current | 750 A |
| Rated continuous thermal current I_{cth} | 100 % |
| Rated short-time thermal current I_{th} | $60 \times I_N / 1 \text{ s}$ |
| Rated surge current I_{dyn} | $2.5 \times I_{th}$ |
| Rated frequency | 50 ... 60 Hz |

Output – current transformer

| | |
|-------------------------|--------|
| Secondary rated current | 5 A |
| Rated power S_r | 0.5 VA |

Measurement error

| | |
|----------------|-----|
| Accuracy class | 0.5 |
|----------------|-----|

Safety and protection

| | |
|-------------------------------------|-------------------------|
| Highest voltage for equipment U_m | AC 720 V _{rms} |
| Protection type | IP20 |

Test voltage

| | |
|--------------|-----------------------|
| Test voltage | AC 3 kV; 50 Hz; 1 min |
|--------------|-----------------------|

Connection data

| | |
|---------------------------------------|---|
| Feedthrough for measurement conductor | 2 x Ø 42 mm |
| Cable type | 2 x 1.5 mm ² ; fine-stranded |
| Color code | black = S1; red = S2 |

Subject to changes. Please also observe the further product documentation!

WAGO Corporation
 Germantown, WI 53022
 Phone: 1-800-DIN-RAIL (346-7245) | Fax: (262) 255-6222
 Email: info.us@wago.com | Web: www.wago.us

Do you have any questions about our products?
 We are always happy to take your call at (262) 255-6222 or 1 800-DIN-RAIL.

Physical data

| | |
|--------------|-----|
| Cable length | 3 m |
|--------------|-----|

Mechanical data

| | |
|---------------|--|
| Mounting type | Split-core current transformer (suspended) |
|---------------|--|

Material data

| | |
|-----------------------------|-------|
| Insulation class | E |
| Flammability class per UL94 | V2 |
| Housing material | PA 66 |
| Weight | 600 g |

Environmental requirements

| | |
|---|-----------------------------------|
| Surrounding air temperature (operation) | -10 ... 55 °C |
| Surrounding air temperature (storage) | -20 ... 70 °C |
| Relative humidity | 5 ... 85 % (without condensation) |
| Operating altitude (max.) | 2000 m |

Standards and specifications

| | |
|--------------------------|--------------------------|
| Conformity marking | CE |
| Standards/Specifications | EN 61869-1 EN 61869-2 |

Commercial data

| | |
|-----------------------|---------------|
| Packaging type | BOX |
| Country of origin | NL |
| GTIN | 4055143950947 |
| Customs tariff number | 8504312000 |

Optional accessories

General accessories



Item no.: 857-551

Current signal conditioner; Current input signal; Current and voltage output signal; Digital output;
Configuration via software; Supply voltage: 24 VDC; 6 mm module width

www.wago.com/857-551

Subject to changes. Please also observe the further product documentation!



Downloads

Documentation

Bid Text

| | | | |
|--------------|--|-----------------|----------|
| docx - Datei | | docx 16.2 kB | Download |
| X81 - Datei | | xml 5.5 kB | Download |

Instruction Leaflet

| | | | |
|-------------------------|-------------------------|-----------------|----------|
| Kabelumbau-Stromwandler | V 1.1.0 Jan 15, 2020 | pdf 832.5 kB | Download |
|-------------------------|-------------------------|-----------------|----------|

Engineering-Software

Software for Interface-Products

| | | | |
|---|-------------------------|-----------------|----------|
| WAGO Interface Configuration Software G2 FULL The full setup, in addition to the WAGO Interface Configuration Software G2, includes the installation for the Microsoft .NET Framework. | 1.0.6.18 Apr 8, 2021 | exe 113.9 MB | Download |
| WAGO Interface Configuration Software G2 SMALL The full setup only includes the WAGO Interface Configuration Software G2. | 1.0.6.18 Apr 8, 2021 | exe 30.0 MB | Download |

Environmental Product Compliance

Compliance Search

| | | |
|--|-----|----------|
| Environmental Product Compliance 855-5105/750-000 Split-core current transformer; Primary rated current 750 A; Secondary rated current: 5 A; Rated power: 0.5 VA; Accuracy class: 0.5 | URL | Download |
|--|-----|----------|

Installation Notes

Installation

Subject to changes. Please also observe the further product documentation!

WAGO Corporation
Germantown, WI 53022
Phone: 1-800-DIN-RAIL (346-7245) | Fax: (262) 255-6222
Email: info.us@wago.com | Web: www.wago.us

Do you have any questions about our products?
We are always happy to take your call at (262) 255-6222 or 1 800-DIN-RAIL.



Simple termination!



Quick and easy mounting!



Subject to changes. Please also observe the further product documentation!